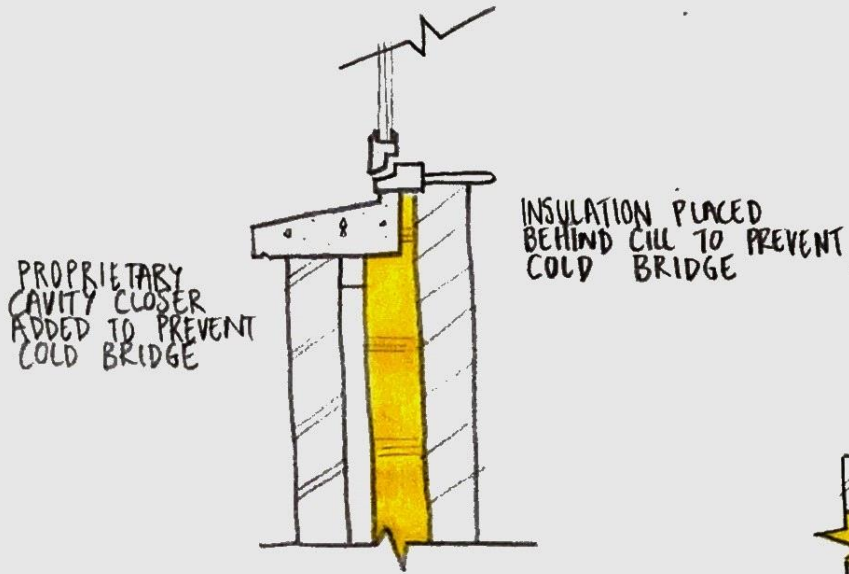
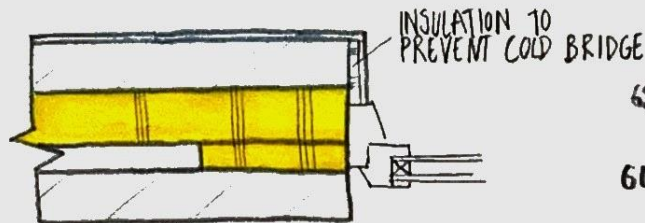
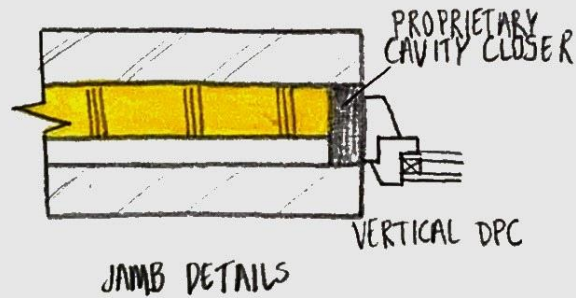
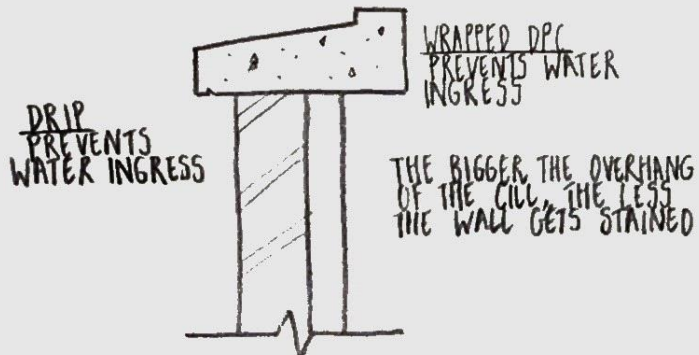


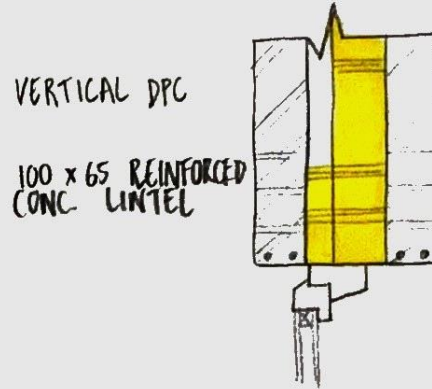
WALL TYPE 1 - PARTIAL FILL CAVITY WALL CONSTRUCTION
(20TH CENTURY)



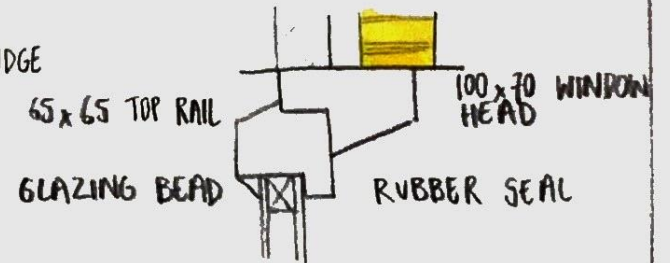
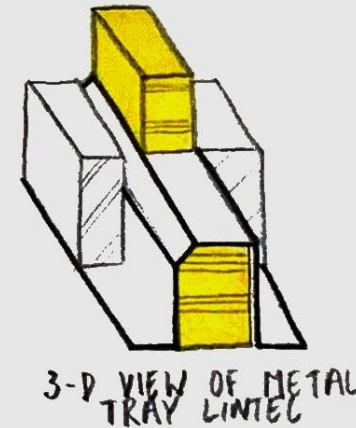
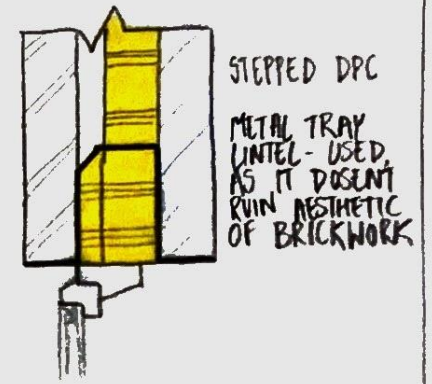
OPE - CONCRETE FORWARD CILL



WINDOW HEAD DETAIL W/
REINFORCED CONC. LINTELS



WINDOW HEAD DETAIL W/
METAL TRAY LINTEL

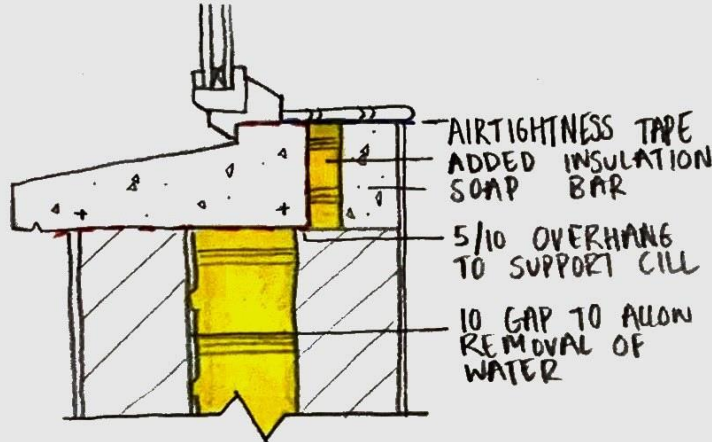
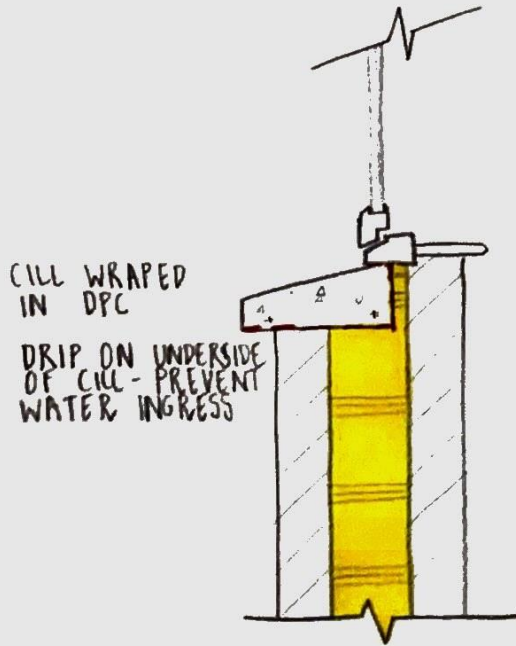


SEAN MOLLOY

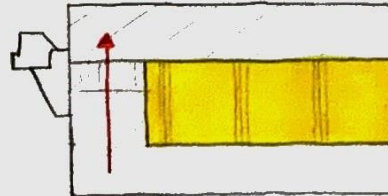
PROJECT 2B

06 - 11 - 20

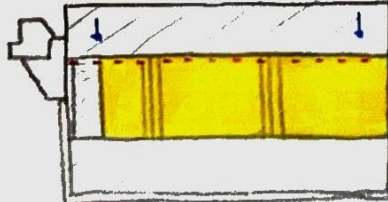
WALL TYPE 2 - FULL FILL CAVITY WALL CONSTRUCTION
(20TH CENTURY)



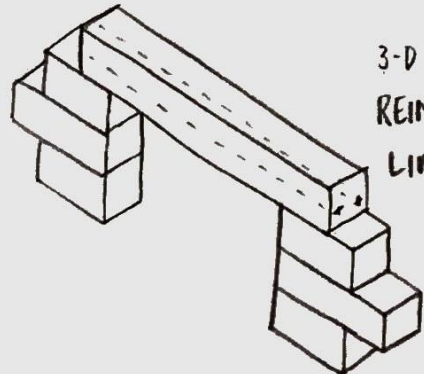
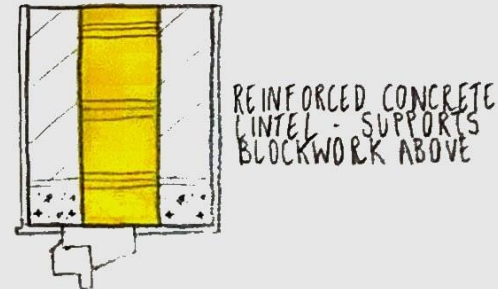
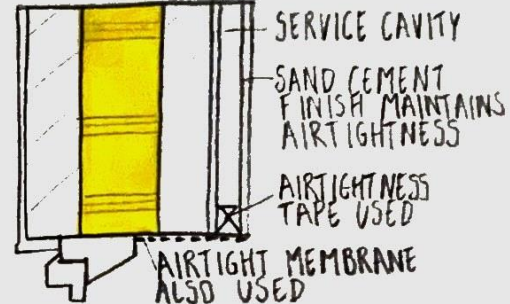
FINAL CILL DETAIL
JAMB DETAILS



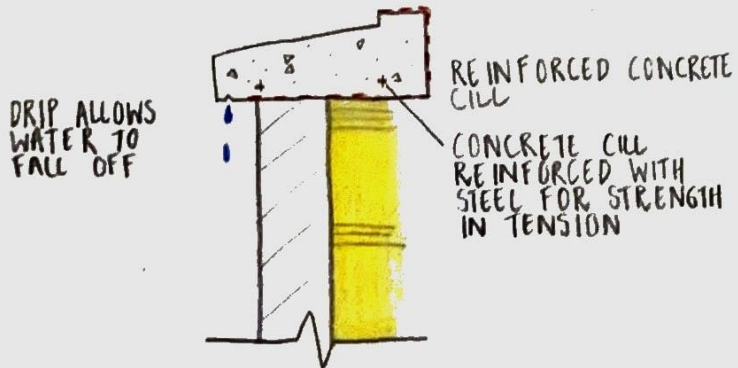
A L SHAPED BLOCK COULD BE USED BUT CAN LEAD TO THERMAL BRIDGE



WE CAN ADD A PROPRIETARY CAVITY CLOSER TO COMBAT THERMAL BRIDGE

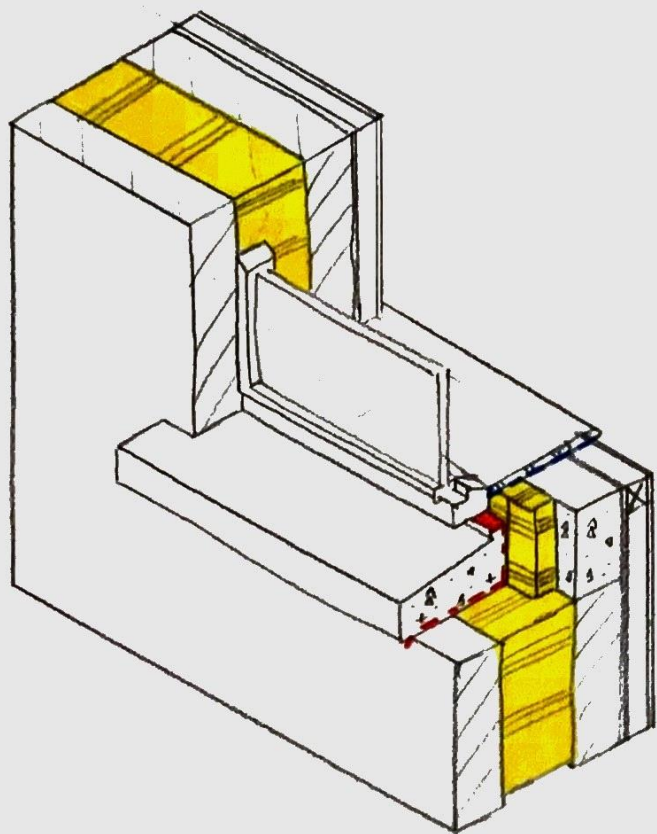


CILL DETAIL

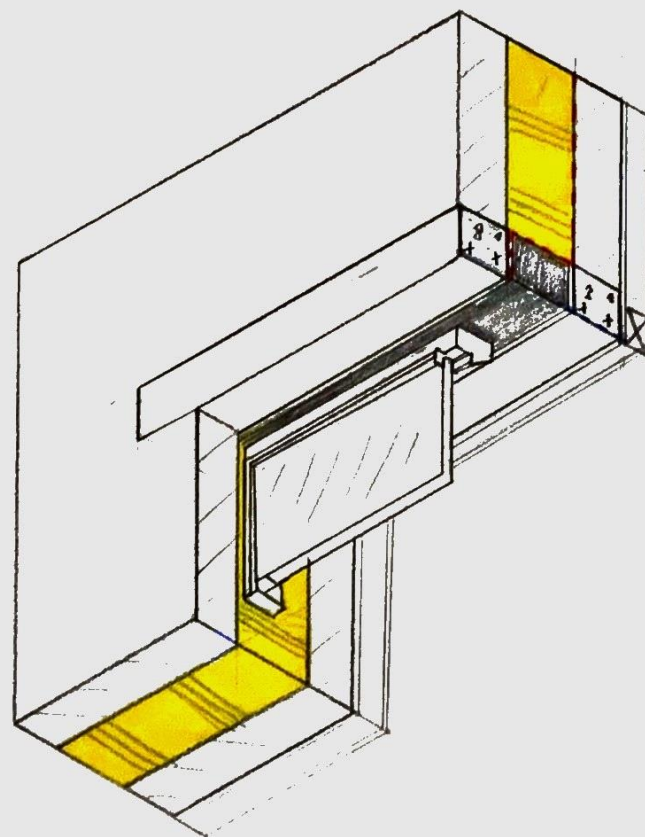


SEAN MOLLOY
PROJECT ZB
06 . 11 . 20

FULL FILL CAVITY WALL W/ WINDOW OPE - 3D
(20TH CENTURY, SCALE 1:10)



3D CILL DETAIL - BIRDS EYE VIEW



3D WINDOW HEAD DETAIL - WORMS EYE VIEW

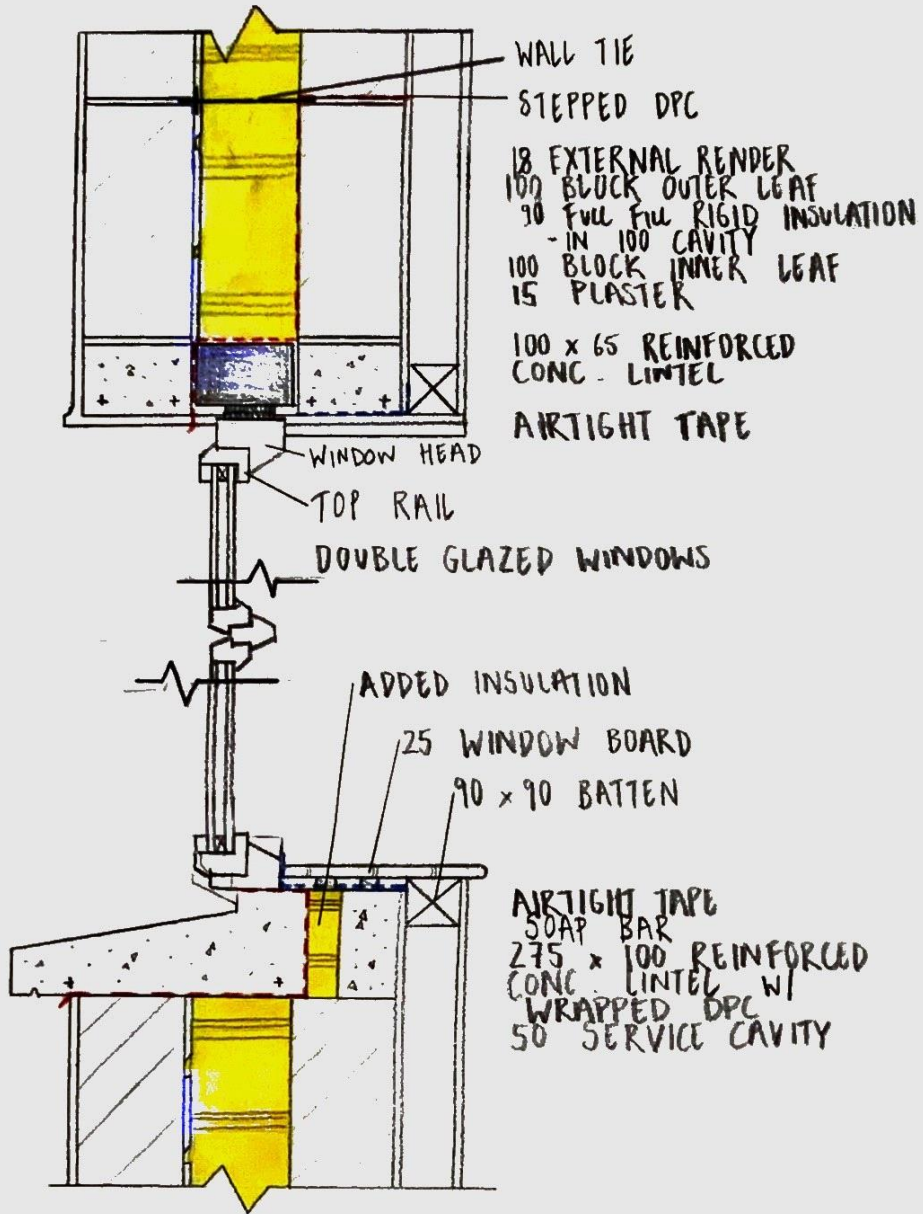
SEAN MOLLOY

PROJECT 2B

06.11.20

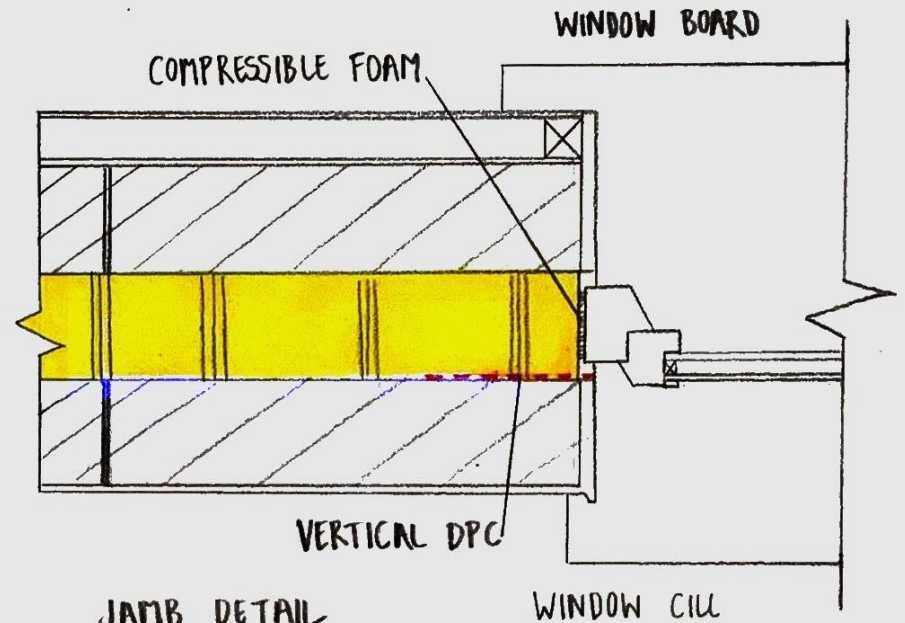
FULL FILL CAVITY WALL W/ WINDOW OPE

(20TH CENTURY, SCALE 1:5)



HEAD AND CILL DETAIL

SCALE 1:5



JAMB DETAIL

SCALE 1:5

SEAN MOLLOY

PROJECT 2B

06.11.20